

Extra Class Question Pool

Questions and correct answers only

July 1, 2024 – June 30, 2028

By K8TB Last edited 12-14-2024

SUBELEMENT E1 - COMMISSION'S RULES [6 Exam Questions - 6 Groups]

E1A Operating Standards: frequency privileges; emission standards; automatic message forwarding; frequency sharing; stations aboard ships or aircraft; power restriction on 630 and 2200 meter bands.

Why is it not legal to transmit a 3 kHz bandwidth USB signal with a carrier frequency of 14.348 MHz?

The upper 1 kHz of the signal is outside the 20-meter band

When using a transceiver that displays the carrier frequency of phone signals, which of the following displayed frequencies represents the lowest frequency at which a properly adjusted LSB emission will be totally within the band?

3 kHz above the lower band edge

What is the highest legal carrier frequency on the 20-meter band for transmitting a 2.8 kHz wide USB data signal?

14.1472 MHz

May an Extra class operator answer the CQ of a station on 3.601 MHz LSB phone?

No, the sideband components will extend beyond the edge of the phone band segment

Who must be in physical control of the station apparatus of an amateur station aboard any vessel or craft that is documented or registered in the United States?

Any person holding an FCC issued amateur license or who is authorized for alien reciprocal operation

What is the required transmit frequency of a CW signal for channelized 60 meter operation?

At the center frequency of the channel

What is the maximum power permitted on the 2200-meter band?

1 watt EIRP (equivalent isotropic radiated power)

If a station in a message forwarding system inadvertently forwards a message that is in violation of FCC rules, who is primarily accountable for the rules violation?

The control operator of the originating station

Except in some parts of Alaska, what is the maximum power permitted on the 630-meter band?

5 watts EIRP (equivalent isotropic radiated power)

If an amateur station is installed aboard a ship or aircraft, what condition must be met before the station is operated?

Its operation must be approved by the master of the ship or the pilot in command of the aircraft

What licensing is required when operating an amateur station aboard a US-registered vessel in international waters?

Any FCC-issued amateur license

E1B Station restrictions and special operations: restrictions on station location; general operating restrictions; spurious emissions; antenna structure restrictions; RACES operations

Which of the following constitutes a spurious emission?

An emission outside the signal's necessary bandwidth that can be reduced or eliminated without affecting the information transmitted

Which of the following is an acceptable bandwidth for digital voice or slow-scan TV transmissions made on the HF amateur bands?

3 kHz

Within what distance must an amateur station protect an FCC monitoring facility from harmful interference?

1 mile

What must the control operator of a repeater operating in the 70-centimeter band do if a radiolocation system experiences interference from that repeater?

Cease operation or make changes to the repeater that mitigate the interference

What is the National Radio Quiet Zone?

An area surrounding the National Radio Astronomy Observatory

Which of the following additional rules apply if you are erecting an amateur station antenna structure at a site at or near a public use airport?

You may have to notify the Federal Aviation Administration and register it with the FCC as required by Part 17 of the FCC rules

To what type of regulations does PRB-1 apply?

State and local zoning

What limitations may the FCC place on an amateur station if its signal causes interference to domestic broadcast reception, assuming that the receivers involved are of good engineering design?

The amateur station must avoid transmitting during certain hours on frequencies that cause the interference

Which amateur stations may be operated under RACES rules?

Any FCC-licensed amateur station certified by the responsible civil defense organization for the area served

What frequencies are authorized to an amateur station operating under RACES rules?

All amateur service frequencies authorized to the control operator

What does PRB-1 require of state and local regulations affecting amateur radio antenna size and structures?

Reasonable accommodations of amateur radio must be made

E1C Automatic and remote control; band-specific regulations; operating in and communicating with foreign countries; spurious emission standards; HF modulation index limit; band-specific rules

What is the maximum bandwidth for a data emission on 60 meters?

2.8 kHz

Which of the following apply to communications transmitted to amateur stations in foreign countries?

Communications must be limited to those incidental to the purpose of the amateur service and remarks of a personal nature

How long must an operator wait after filing a notification with the Utilities Technology Council (UTC) before operating on the 2200-meter or 630-meter band?

Operators may operate after 30 days, providing they have not been told that their station is within 1 kilometer of PLC systems using those frequencies

What is an IARP?

A permit that allows US amateurs to operate in certain countries of the Americas

Under what situation may a station transmit third party communications while being automatically controlled?

Only when transmitting RTTY or data emissions

Which of the following is required in order to operate in accordance with CEPT rules in foreign countries where permitted?

You must have a copy of FCC Public Notice DA 16-1048

What notifications must be given before transmitting on the 630- or 2200-meter bands?

Operators must inform the Utilities Technology Council (UTC) of their call sign and coordinates of the station

What is the maximum permissible duration of a remotely controlled station's transmissions if its control link malfunctions?

3 minutes

What is the highest modulation index permitted at the highest modulation frequency for angle modulation below 29.0 MHz?

1.0

What is the maximum mean power level for a spurious emission below 30 MHz with respect to the fundamental emission?

- 43 dB

Which of the following operating arrangements allows an FCC-licensed US citizen to operate in many European countries, and amateurs from many European countries to operate in the US?

CEPT

In what portion of the 630-meter band are phone emissions permitted?

The entire band

E1D Amateur Space and Earth stations; telemetry and telecommand rules; identification of balloon transmissions; one-way communications

What is the definition of telemetry?

One-way transmission of measurements at a distance from the measuring instrument

Which of the following may transmit encrypted messages?

Telecommand signals from a space telecommand station

What is a space telecommand station?

An amateur station that transmits communications to initiate, modify, or terminate functions of a space station

Which of the following is required in the identification transmissions from a balloon-borne telemetry station?

Call sign

What must be posted at the location of a station being operated by telecommand on or within 50 kilometers of the Earth's surface?

-A photocopy of the station license

-A label with the name, address, and telephone number of the station licensee

-A label with the name, address, and telephone number of the control operator

All these choices are correct

What is the maximum permitted transmitter output power when operating a model craft by telecommand?

1 watt

Which of the following HF amateur bands include allocations for space stations?

40 meters, 20 meters, 15 meters, and 10 meters

Which VHF amateur bands have frequencies authorized for space stations?

2 meters

Which UHF amateur bands have frequencies authorized for space stations?

70 centimeters and 13 centimeters

Which amateur stations are eligible to be telecommand stations of space stations, subject to the privileges of the class of operator license held by the control operator of the station?

Any amateur station so designated by the space station licensee

Which amateur stations are eligible to operate as Earth stations?

Any amateur station, subject to the privileges of the class of operator license held by the control operator

Which of the following amateur stations may transmit one-way communications?
A space station, beacon station, or telecommand station

E1E Volunteer examiner program: definitions; qualifications; preparation and administration of exams; reimbursement; accreditation; question pools; documentation requirements

For which types of out-of-pocket expenses do the Part 97 rules state that VEs and VECs may be reimbursed?

Preparing, processing, administering, and coordinating an examination for an amateur radio operator license

Who is tasked by Part 97 with maintaining the pools of questions for all US amateur license examinations?

The VECs

What is a Volunteer Examiner Coordinator?

An organization that has entered into an agreement with the FCC to coordinate, prepare, and administer amateur operator license examinations

What is required to be accredited as a Volunteer Examiner?

A VEC must confirm that the VE applicant meets FCC requirements to serve as an examiner

What must the VE team do with the application form if the examinee does not pass the exam?

the application document to the examinee

Who is responsible for the proper conduct and necessary supervision during an amateur operator license examination session?

Each administering VE

What should a VE do if a candidate fails to comply with the examiner's instructions during an amateur operator license examination?

Immediately terminate the candidate's examination

To which of the following examinees may a VE not administer an examination?

Relatives of the VE as listed in the FCC rules

What may be the penalty for a VE who fraudulently administers or certifies an examination?

Revocation of the VE's amateur station license grant and the suspension of the VE's amateur operator license grant

What must the administering VEs do after the administration of a successful examination for an amateur operator license?

They must submit the application document to the coordinating VEC according to the coordinating VEC instructions

What must the VE team do if an examinee scores a passing grade on all examination elements needed for an upgrade or new license?

Three VEs must certify that the examinee is qualified for the license grant and that they have complied with the administering VE requirements

E1F Miscellaneous rules: external RF power amplifiers; prohibited communications; spread spectrum; auxiliary stations; Canadian amateurs operating in the US; special temporary authority

On what frequencies are spread spectrum transmissions permitted?

Only on amateur frequencies above 222 MHz

What privileges are authorized in the US to persons holding an amateur service license granted by the government of Canada?

The operating terms and conditions of the Canadian amateur service license, not to exceed US Amateur Extra class license privileges

Under what circumstances may a dealer sell an external RF power amplifier capable of operation below 144 MHz if it has not been granted FCC certification?

The amplifier is constructed or modified by an amateur radio operator for use at an amateur station

Which of the following geographic descriptions approximately describes "Line A"?

A line roughly parallel to and south of the border between the US and Canada

Amateur stations may not transmit in which of the following frequency segments if they are located in the contiguous 48 states and north of Line A?

420 MHz - 430 MHz

Under what circumstances might the FCC issue a Special Temporary Authority (STA) to an amateur station?

To provide for experimental amateur communications

When may an amateur station send a message to a business?

When neither the amateur nor their employer has a pecuniary interest in the communications

Which of the following types of amateur station communications are prohibited?

Communications transmitted for hire or material compensation, except as otherwise provided in the rules

Which of the following cannot be transmitted over an amateur radio mesh network?

Messages encoded to obscure their meaning

Who may be the control operator of an auxiliary station?

Only Technician, General, Advanced, or Amateur Extra class operators

Which of the following best describes one of the standards that must be met by an external RF power amplifier if it is to qualify for a grant of FCC certification?

It must satisfy the FCC's spurious emission standards when operated at the lesser of 1500 watts or its full output power

SUBELEMENT E2 - OPERATING PROCEDURES [5 Exam Questions - 5 Groups]

E2A Amateur radio in space: amateur satellites; orbital mechanics; frequencies and modes; satellite hardware; satellite operations

What is the direction of an ascending pass for an amateur satellite?

From south to north

Which of the following is characteristic of an inverting linear transponder?

-Doppler shift is reduced because the uplink and downlink shifts are in opposite directions

-Signal position in the band is reversed

-Upper sideband on the uplink becomes lower sideband on the downlink, and vice versa

All these choices are correct

How is an upload signal processed by an inverting linear transponder?

The signal is mixed with a local oscillator signal and the difference product is transmitted

What is meant by the "mode" of an amateur radio satellite?

The satellite's uplink and downlink frequency bands

What do the letters in a satellite's mode designator specify?

The uplink and downlink frequency ranges

What are Keplerian elements?

Parameters that define the orbit of a satellite

Which of the following types of signals can be relayed through a linear transponder?

-FM and CW

-SSB and SSTV

-PSK and packet

All these choices are correct

Why should effective radiated power (ERP) be limited to a satellite that uses a linear transponder?

To avoid reducing the downlink power to all other users

What do the terms "L band" and "S band" specify?

The 23- and 13-centimeter bands

What type of satellite appears to stay in one position in the sky?

Geostationary

What type of antenna can be used to minimize the effects of spin modulation and Faraday rotation?

A circularly polarized antenna

What is the purpose of digital store-and-forward functions on an amateur radio satellite?

To hold digital messages in the satellite for later download

E2B Television practices: fast-scan television standards and techniques; slow scan television standards and techniques

In digital television, what does a coding rate of 3/4 mean?

25% of the data sent is forward error correction data

How many horizontal lines make up a fast-scan (NTSC) television frame?

525

How is an interlaced scanning pattern generated in a fast-scan (NTSC) television system?

By scanning odd-numbered lines in one field and even-numbered lines in the next

How is color information sent in analog SSTV?

Color lines are sent sequentially

Which of the following describes the use of vestigial sideband in analog fast-scan TV transmissions?

Vestigial sideband reduces the bandwidth while increasing the fidelity of low frequency video components

What is vestigial sideband modulation?

Amplitude modulation in which one complete sideband and a portion of the other are transmitted

Which types of modulation are used for amateur television DVB-T signals?

QAM and QPSK

What technique allows commercial analog TV receivers to be used for fast-scan TV operations on the 70-centimeter band?

Transmitting on channels shared with cable TV

What kind of receiver can be used to receive and decode SSTV using the Digital Radio Mondiale (DRM) protocol?

SSB

What aspect of an analog slow-scan television signal encodes the brightness of the picture?

Tone frequency

What is the function of the vertical interval signaling (VIS) code sent as part of an SSTV transmission?

To identify the SSTV mode being used

What signals SSTV receiving software to begin a new picture line?

Specific tone frequencies

E2C Contest and DX operating; remote operation techniques; log data format; contact confirmation; RF network systems

What indicator is required to be used by US-licensed operators when operating a station via remote control and the remote transmitter is located in the US?

No additional indicator is required

Which of the following file formats is used for exchanging amateur radio log data?

ADIF

From which of the following bands is amateur radio contesting generally excluded?

30 meters

Which of the following frequencies can be used for amateur radio mesh networks?

Frequencies shared with various unlicensed wireless data services

What is the function of a DX QSL Manager?

Handle the receiving and sending of confirmations for a DX station

During a VHF/UHF contest, in which band segment would you expect to find the highest level of SSB or CW activity?

In the weak signal segment of the band, with most of the activity near the calling frequency

What is the Cabrillo format?

A standard for submission of electronic contest logs

Which of the following contacts may be confirmed through the Logbook of The World (LoTW)?

- Special event contacts between stations in the US
- Contacts between a US station and a non-US station
- Contacts for Worked All States credit

All these choices are correct

What type of equipment is commonly used to implement an amateur radio mesh network?

A wireless router running custom firmware

Why do DX stations often transmit and receive on different frequencies?

- Because the DX station may be transmitting on a frequency that is prohibited to some responding stations
- To separate the calling stations from the DX station
- To improve operating efficiency by reducing interference

All these choices are correct

How should you generally identify your station when attempting to contact a DX station during a contest or in a pileup?

Send your full call sign once or twice

What indicates the delay between a control operator action and the corresponding change in the transmitted signal?

Latency

E2D Operating methods: digital modes and procedures for VHF and UHF; APRS; EME procedures; meteor scatter procedures

Which of the following digital modes is designed for meteor scatter communications?

MSK144

What information replaces signal-to-noise ratio when using the FT8 or FT4 modes in a VHF contest?

Grid square

Which of the following digital modes is designed for EME communications?

Q65

What technology is used for real-time tracking of balloons carrying amateur radio transmitters?

APRS

What is the characteristic of the JT65 mode?

Decodes signals with a very low signal-to-noise ratio

Which of the following is a method for establishing EME contacts?

Time-synchronous transmissions alternating between stations

What digital protocol is used by APRS?

AX.25

What type of packet frame is used to transmit APRS beacon data?

Unnumbered Information

What type of modulation is used by JT65?

Multitone AFSK

What does the packet path WIDE3-1 designate?

Three internet gateway stations may receive one transmission

How do APRS stations relay data?

By packet digipeaters

E2E Operating methods: digital modes and procedures for HF

Which of the following types of modulation is used for data emissions below 30 MHz?

FSK

Which of the following synchronizes WSJT-X digital mode transmit/receive timing?

Synchronization of computer clocks

To what does the "4" in FT4 refer??

Four-tone continuous-phase frequency shift keying

Which of the following is characteristic of the FST4 mode?

- Four-tone Gaussian frequency shift keying
- Variable transmit/receive periods
- Seven different tone spacings

All these choices are correct

Which of these digital modes does not support keyboard-to-keyboard operation?

WSPR

What is the length of an FT8 transmission cycle?

15 seconds

How does Q65 differ from JT65?

Multiple receive cycles are averaged

Which of the following HF digital modes can be used to transfer binary files?

PACTOR

Which of the following HF digital modes uses variable-length character coding?

PSK31

Which of these digital modes has the narrowest bandwidth?

FT8

What is the difference between direct FSK and audio FSK??

Direct FSK modulates the transmitter VFO

How do ALE stations establish contact?

ALE constantly scans a list of frequencies, activating the radio when the designated call sign is received

Which of these digital modes has the highest data throughput under clear communication conditions?

PACTOR IV

SUBELEMENT E3 - RADIO WAVE PROPAGATION [3 Exam Questions - 3 Groups]

E3A Electromagnetic Waves and Specialized Propagation: Earth-Moon-Earth (EME) communications; meteor scatter; microwave tropospheric and scatter propagation; auroral propagation; daily variation of ionospheric propagation; circular polarization

What is the approximate maximum separation measured along the surface of the Earth between two stations communicating by EME?

12,000 miles, if the moon is "visible" by both stations

What characterizes libration fading of an EME signal?

A fluttery, irregular fading

When scheduling EME contacts, which of these conditions will generally result in the least path loss?

When the Moon is at perigee

In what direction does an electromagnetic wave travel?

It travels at a right angle to the electric and magnetic fields

How are the component fields of an electromagnetic wave oriented?

They are at right angles

What should be done to continue a long-distance contact when the MUF for that path decreases due to darkness?

Switch to a lower frequency HF band

Atmospheric ducts capable of propagating microwave signals often form over what geographic feature?

Large bodies of water

When a meteor strikes the Earth's atmosphere, a linear ionized region is formed at what region of the ionosphere?

The E region

Which of the following frequency ranges is most suited for meteor-scatter communications?

28 MHz - 148 MHz

What determines the speed of electromagnetic waves through a medium?

The index of refraction

What is a typical range for tropospheric duct propagation of microwave signals?

100 miles to 300 miles

What is most likely to result in auroral propagation?

Severe geomagnetic storms

Which of these emission modes is best for auroral propagation?

CW

What are circularly polarized electromagnetic waves?

Waves with rotating electric and magnetic fields

E3B Transequatorial propagation; long-path propagation; ordinary and extraordinary waves; chordal hop; sporadic-E mechanisms; ground-wave propagation

Where is transequatorial propagation (TEP) most likely to occur?

Between points separated by 2,000 miles to 3,000 miles over a path perpendicular to the geomagnetic equator

What is the approximate maximum range for signals using transequatorial propagation?

5,000 miles

At what time of day is transequatorial propagation most likely to occur?

Afternoon or early evening

What are "extraordinary" and "ordinary" waves?

Independently propagating, elliptically polarized waves created in the ionosphere

Which of the following paths is most likely to support long-distance propagation on 160 meters?

A path entirely in darkness

On which of the following amateur bands is long-path propagation most frequent?

40 meters and 20 meters

What effect does lowering a signal's transmitted elevation angle have on ionospheric HF skip propagation?

The distance covered by each hop increases

How does the maximum range of ground-wave propagation change when the signal frequency is increased?

It decreases

At what time of year is sporadic-E propagation most likely to occur?

Around the solstices, especially the summer solstice

What is the effect of chordal-hop propagation?

The signal experiences less loss compared to multi-hop propagation, which uses Earth as a reflector

At what time of day is sporadic-E propagation most likely to occur?

Between sunrise and sunset

What is chordal-hop propagation?

Successive ionospheric refractions without an intermediate reflection from the ground

What type of polarization is supported by ground-wave propagation?

Vertical

E3C Propagation prediction and reporting: radio horizon; effects of space-weather phenomena

What is the cause of short-term radio blackouts?

Solar flares

What is indicated by a rising A-index or K-index?

Increasing disturbance of the geomagnetic field

Which of the following signal paths is most likely to experience high levels of absorption when the A-index or K-index is elevated?

Through the auroral oval

What does the value of B_z (B sub z) represent?

North-south strength of the interplanetary magnetic field

What orientation of B_z (B sub z) increases the likelihood that charged particles from the Sun will cause disturbed conditions?

Southward

How does the VHF/UHF radio horizon compare to the geographic horizon?

It is approximately 15 percent farther

Which of the following indicates the greatest solar flare intensity?

Class X

Which of the following is the space-weather term for an extreme geomagnetic storm?

G5

What type of data is reported by amateur radio propagation reporting networks?

Digital-mode and CW signals

What does the 304A solar parameter measure?

UV emissions at 304 angstroms, correlated to the solar flux index

What does VOACAP software model?

HF propagation

Which of the following is indicated by a sudden rise in radio background noise across a large portion of the HF spectrum?

A coronal mass ejection impact or a solar flare has occurred

SUBELEMENT E4 - AMATEUR PRACTICES [5 Exam Questions - 5 Groups]

E4A Test equipment: analog and digital instruments; spectrum analyzers; antenna analyzers; oscilloscopes; RF measurements

Which of the following limits the highest frequency signal that can be accurately displayed on a digital oscilloscope?

Sampling rate of the analog-to-digital converter

Which of the following parameters does a spectrum analyzer display on the vertical and horizontal axes?

Signal amplitude and frequency

Which of the following test instruments is used to display spurious signals and/or intermodulation distortion products generated by an SSB transmitter?

Spectrum analyzer

How is compensation of an oscilloscope probe performed?

A square wave is displayed, and the probe is adjusted until the horizontal portions of the displayed wave are as nearly flat as possible

What is the purpose of using a prescaler with a frequency counter?

Reduce the signal frequency to within the counter's operating range

What is the effect of aliasing on a digital oscilloscope when displaying a waveform?

A false, jittery low-frequency version of the waveform is displayed

Which of the following is an advantage of using an antenna analyzer compared to an SWR bridge?

Antenna analyzers compute SWR and impedance automatically

Which of the following is used to measure SWR?

- Directional wattmeter
- Vector network analyzer
- Antenna analyzer
- All these choices are correct

Which of the following is good practice when using an oscilloscope probe?

- Minimize the length of the probe's ground connection

Which trigger mode is most effective when using an oscilloscope to measure a linear power supply's output ripple?

- Line

Which of the following can be measured with an antenna analyzer?

- Velocity factor
- Cable length
- Resonant frequency of a tuned circuit
- All these choices are correct

E4B Measurement technique and limitations: instrument accuracy and performance limitations; probes; techniques to minimize errors; measurement of Q; instrument calibration; S parameters; vector network analyzers; RF signals

Which of the following factors most affects the accuracy of a frequency counter?

- Time base accuracy

What is the significance of voltmeter sensitivity expressed in ohms per volt?

- The full scale reading of the voltmeter multiplied by its ohms per volt rating is the input impedance of the voltmeter

Which S parameter is equivalent to forward gain?

- S₂₁

Which S parameter represents input port return loss or reflection coefficient (equivalent to VSWR)?

- S₁₁

What three test loads are used to calibrate an RF vector network analyzer?

- Short circuit, open circuit, and 50 ohms

How much power is being absorbed by the load when a directional power meter connected between a transmitter and a terminating load reads 100 watts forward power and 25 watts reflected power?

- 75 watts

What do the subscripts of S parameters represent?

- The port or ports at which measurements are made

Which of the following can be used to determine the Q of a series-tuned circuit?

- The bandwidth of the circuit's frequency response

Which of the following can be measured by a two-port vector network analyzer?

- Filter frequency response

Which of the following methods measures intermodulation distortion in an SSB transmitter?

Modulate the transmitter using two AF signals having non-harmonically related frequencies and observe the RF output with a spectrum analyzer

Which of the following can be measured with a vector network analyzer?

-Input impedance

-Output impedance

-Reflection coefficient

All these choices are correct

E4C Receiver performance: phase noise, noise floor, image rejection, minimum detectable signal (MDS), increasing signal-to-noise ratio and dynamic range, noise figure, reciprocal mixing; selectivity; SDR non-linearity; use of attenuators at low frequencies

What is an effect of excessive phase noise in an SDR receiver's master clock oscillator?

It can combine with strong signals on nearby frequencies to generate interference

Which of the following receiver circuits can be effective in eliminating interference from strong out-of-band signals?

A front-end filter or preselector

What is the term for the suppression in an FM receiver of one signal by another stronger signal on the same frequency?

Capture effect

What is the noise figure of a receiver?

The ratio in dB of the noise generated by the receiver to the theoretical minimum noise

What does a receiver noise floor of -174 dBm represent?

The theoretical noise in a 1 Hz bandwidth at the input of a perfect receiver at room temperature

How much does increasing a receiver's bandwidth from 50 Hz to 1,000 Hz increase the receiver's noise floor?

13 dB

What does the MDS of a receiver represent?

The minimum discernible signal

An SDR receiver is overloaded when input signals exceed what level?

The reference voltage of the analog-to-digital converter

Which of the following choices is a good reason for selecting a high IF for a superheterodyne HF or VHF communications receiver?

Easier for front-end circuitry to eliminate image responses

What is an advantage of having a variety of receiver bandwidths from which to select?

Receive bandwidth can be set to match the modulation bandwidth, maximizing signal-to-noise ratio and minimizing interference

Why does input attenuation reduce receiver overload on the lower frequency HF bands with little or no impact on signal-to-noise ratio?

Atmospheric noise is generally greater than internally generated noise even after attenuation

How does a narrow-band roofing filter affect receiver performance?

It improves blocking dynamic range by attenuating strong signals near the receive frequency

What is reciprocal mixing?

Local oscillator phase noise mixing with adjacent strong signals to create interference to desired signals

What is the purpose of the receiver IF Shift control?

To reduce interference from stations transmitting on adjacent frequencies

E4D Receiver performance characteristics: dynamic range; intermodulation and cross-modulation interference; third-order intercept; desensitization; preselector; sensitivity; link margin

What is meant by the blocking dynamic range of a receiver?

The difference in dB between the noise floor and the level of an incoming signal that will cause 1 dB of gain compression

Which of the following describes problems caused by poor dynamic range in a receiver?

Spurious signals caused by cross modulation and desensitization from strong adjacent signals

What creates intermodulation interference between two repeaters in close proximity?

The output signals mix in the final amplifier of one or both transmitters

Which of the following is used to reduce or eliminate intermodulation interference in a repeater caused by a nearby transmitter?

A properly terminated circulator at the output of the repeater's transmitter

What transmitter frequencies would create an intermodulation-product signal in a receiver tuned to 146.70 MHz when a nearby station transmits on 146.52 MHz?

146.34 MHz and 146.61 MHz

What is the term for the reduction in receiver sensitivity caused by a strong signal near the received frequency?

Desensitization

Which of the following reduces the likelihood of receiver desensitization?

Insert attenuation before the first RF stage

What causes intermodulation in an electronic circuit?

Nonlinear circuits or devices

What is the purpose of the preselector in a communications receiver?

To increase the rejection of signals outside the band being received

What does a third-order intercept level of 40 dBm mean with respect to receiver performance?

A pair of 40 dBm input signals will theoretically generate a third-order intermodulation product that has the same output amplitude as either of the input signals

Why are odd-order intermodulation products, created within a receiver, of particular interest compared to other products?

Odd-order products of two signals in the band being received are also likely to be within the band

What is the link margin in a system with a transmit power level of 10 W (+40 dBm), a system antenna gain of 10 dBi, a cable loss of 3 dB, a path loss of 136 dB, a receiver minimum discernable signal of -103 dBm, and a required signal-to-noise ratio of 6 dB?

+8dB

What is the received signal level with a transmit power of 10 W (+40 dBm), a transmit antenna gain of 6 dBi, a receive antenna gain of 3 dBi, and a path loss of 100 dB?

-51 dBm

What power level does a receiver minimum discernible signal of -100 dBm represent?

0.1 picowatts

E4E Noise and interference: external RF interference; electrical and computer noise; line noise; DSP filtering and noise reduction; common-mode current; surge protectors; single point ground panel

What problem can occur when using an automatic notch filter (ANF) to remove interfering carriers while receiving CW signals?

Removal of the CW signal as well as the interfering carrier

Which of the following types of noise can often be reduced by a digital noise reduction?

-Broadband white noise

-Ignition noise

-Power line noise

All these choices are correct

Which of the following types of noise are removed by a noise blanker?

Impulse noise

How can conducted noise from an automobile battery charging system be suppressed?

By installing ferrite chokes on the charging system leads

What is used to suppress radio frequency interference from a line-driven AC motor?

A brute-force AC-line filter in series with the motor's power leads

What type of electrical interference can be caused by computer network equipment?

The appearance of unstable modulated or unmodulated signals at specific frequencies

Which of the following can cause shielded cables to radiate or receive interference?

Common-mode currents on the shield and conductors

What current flows equally on all conductors of an unshielded multiconductor cable?

Common-mode current

What undesirable effect can occur when using a noise blanker?

Strong signals may be distorted and appear to cause spurious emissions

Which of the following can create intermittent loud roaring or buzzing AC line interference?

-Arcing contacts in a thermostatically controlled device

-A defective doorbell or doorbell transformer inside a nearby residence

-A malfunctioning illuminated advertising display

All these choices are correct

What could be the cause of local AM broadcast band signals combining to generate spurious signals on the MF or HF bands?

Nearby corroded metal connections are mixing and reradiating the broadcast signals

What causes interference received as a series of carriers at regular intervals across a wide frequency range?

Switch-mode power supplies

Where should a station AC surge protector be installed?

On the single point ground panel

What is the purpose of a single point ground panel?

Ensure all lightning protectors activate at the same time

SUBELEMENT E5 - ELECTRICAL PRINCIPLES [4 Exam Questions - 4 Groups]

E5A Resonance and Q: characteristics of resonant circuits; series and parallel resonance; definitions and effects of Q; half-power bandwidth

What can cause the voltage across reactances in a series RLC circuit to be higher than the voltage applied to the entire circuit?

Resonance

What is the resonant frequency of an RLC circuit if R is 22 ohms, L is 50 microhenries, and C is 40 picofarads?

3.56 MHz

What is the magnitude of the impedance of a series RLC circuit at resonance?

Approximately equal to circuit resistance

What is the magnitude of the impedance of a parallel RLC circuit at resonance?

Approximately equal to circuit resistance

What is the result of increasing the Q of an impedance-matching circuit?

Matching bandwidth is decreased

What is the magnitude of the circulating current within the components of a parallel LC circuit at resonance?

It is at a maximum

What is the magnitude of the current at the input of a parallel RLC circuit at resonance?

Minimum

What is the phase relationship between the current through and the voltage across a series resonant circuit at resonance?

The voltage and current are in phase

How is the Q of an RLC parallel resonant circuit calculated?

Resistance divided by the reactance of either the inductance or capacitance

What is the resonant frequency of an RLC circuit if R is 33 ohms, L is 50 microhenries, and C is 10 picofarads?

7.12 MHz

What is the half-power bandwidth of a resonant circuit that has a resonant frequency of 7.1 MHz and a Q of 150?

47.3 kHz

What is the half-power bandwidth of a resonant circuit that has a resonant frequency of 3.7 MHz and a Q of 118?

31.4 kHz

What is an effect of increasing Q in a series resonant circuit?

Internal voltages increase

E5B Time constants and phase relationships: RL and RC time constants; phase angle in reactive circuits and components; admittance and susceptance

What is the term for the time required for the capacitor in an RC circuit to be charged to 63.2% of the applied voltage or to discharge to 36.8% of its initial voltage?

One time constant

What letter is commonly used to represent susceptance?

B

How is impedance in polar form converted to an equivalent admittance?

Take the reciprocal of the magnitude and change the sign of the angle

What is the time constant of a circuit having two 220-microfarad capacitors and two 1-megohm resistors, all in parallel?

220 seconds

What is the effect on the magnitude of pure reactance when it is converted to susceptance?

It is replaced by its reciprocal

What is susceptance??

The imaginary part of admittance

What is the phase angle between the voltage across and the current through a series RLC circuit if X_C is 500 ohms, R is 1 kilohm, and X_L is 250 ohms?

14.0 degrees with the voltage lagging the current

What is the phase angle between the voltage across and the current through a series RLC circuit if X_C is 300 ohms, R is 100 ohms, and X_L is 100 ohms?

63 degrees with the voltage lagging the current

What is the relationship between the AC current through a capacitor and the voltage across a capacitor?

Current leads voltage by 90 degrees

What is the relationship between the AC current through an inductor and the voltage across an inductor?

Voltage leads current by 90 degrees

What is the phase angle between the voltage across and the current through a series RLC circuit if X_C is 25 ohms, R is 100 ohms, and X_L is 75 ohms?

27 degrees with the voltage leading the current

What is admittance?

The inverse of impedance

E5C Coordinate systems and phasors in electronics: rectangular coordinates; polar coordinates; phasors; logarithmic axes

Which of the following represents pure capacitive reactance of 100 ohms in rectangular notation?

0 - j100

How are impedances described in polar coordinates?

By magnitude and phase angle

Which of the following represents a pure inductive reactance in polar coordinates?

A positive 90 degree phase angle

What type of Y-axis scale is most often used for graphs of circuit frequency response??

Logarithmic

What kind of diagram is used to show the phase relationship between impedances at a given frequency?

Phasor diagram

What does the impedance $50 - j25$ ohms represent?

50 ohms resistance in series with 25 ohms capacitive reactance

Where is the impedance of a pure resistance plotted on rectangular coordinates?

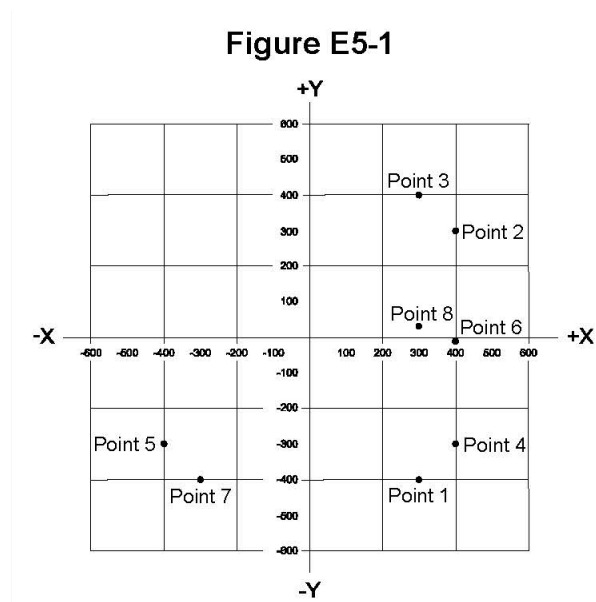
On the horizontal axis

What coordinate system is often used to display the phase angle of a circuit containing resistance, inductive, and/or capacitive reactance?

Polar coordinates

When using rectangular coordinates to graph the impedance of a circuit, what do the axes represent?

The X axis represents the resistive component, and the Y axis represents the reactive component



Which point on Figure E5-1 best represents the impedance of a series circuit consisting of a 400-ohm resistor and a 38-picofarad capacitor at 14 MHz?

Point 4

Which point in Figure E5-1 best represents the impedance of a series circuit consisting of a 300-ohm resistor and an 18-microhenry inductor at 3.505 MHz?

Point 3

Which point on Figure E5-1 best represents the impedance of a series circuit consisting of a 300-ohm resistor and a 19-picofarad capacitor at 21.200 MHz?

Point 1

E5D RF effects in components and circuits: skin effect; real and reactive power; electrical length of conductors

What is the result of conductor skin effect?

Resistance increases as frequency increases because RF current flows closer to the surface

Why is it important to keep lead lengths short for components used in circuits for VHF and above?

To minimize inductive reactance

What is the phase relationship between current and voltage for reactive power?

They are 90 degrees out of phase

Why are short connections used at microwave frequencies?

To reduce phase shift along the connection

What parasitic characteristic causes electrolytic capacitors to be unsuitable for use at RF?

Inductance

What parasitic characteristic creates an inductor's self-resonance?

Inter-turn capacitance

What combines to create the self-resonance of a component?

The component's nominal and parasitic reactance

What is the primary cause of loss in film capacitors at RF?

Skin effect

What happens to reactive power in ideal inductors and capacitors?

Energy is stored in magnetic or electric fields, but power is not dissipated

As a conductor's diameter increases, what is the effect on its electrical length?

It increases

How much real power is consumed in a circuit consisting of a 100-ohm resistor in series with a 100-ohm inductive reactance drawing 1 ampere?

100 watts

What is reactive power?

Wattless, nonproductive power

SUBELEMENT E6 - CIRCUIT COMPONENTS [6 Exam Questions - 6 Groups]

E6A Semiconductor materials and devices: semiconductor materials; bipolar junction transistors; operation and types of field-effect transistors

In what application is gallium arsenide used as a semiconductor material?

In microwave circuits

Which of the following semiconductor materials contains excess free electrons?

N-type

Why does a PN-junction diode not conduct current when reverse biased?

Holes in P-type material and electrons in the N-type material are separated by the applied voltage, widening the depletion region

What is the name given to an impurity atom that adds holes to a semiconductor crystal structure?

Acceptor impurity

How does DC input impedance at the gate of a field-effect transistor (FET) compare with that of a bipolar transistor?

An FET has higher input impedance

What is the beta of a bipolar junction transistor?

The change in collector current with respect to the change in base current

Which of the following indicates that a silicon NPN junction transistor is biased on?

Base-to-emitter voltage of approximately 0.6 volts to 0.7 volts

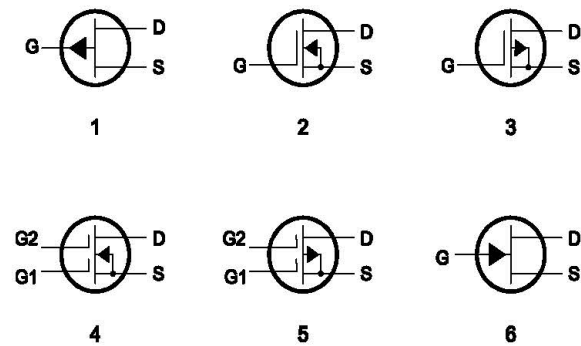
What is the term for the frequency at which the grounded-base current gain of a bipolar junction transistor has decreased to 0.7 of the gain obtainable at 1 kHz?

Alpha cutoff frequency

What is a depletion-mode field-effect transistor (FET)?

An FET that exhibits a current flow between source and drain when no gate voltage is applied

Figure E6-1



In Figure E6-1, which is the schematic symbol for an N-channel dual-gate MOSFET?

4

In Figure E6-1, which is the schematic symbol for a P-channel junction FET?

1

What is the purpose of connecting Zener diodes between a MOSFET gate and its source or drain?

To protect the gate from static damage

E6B Diodes

What is the most useful characteristic of a Zener diode?

A constant voltage drop under conditions of varying current

Which characteristic of a Schottky diode makes it a better choice than a silicon junction diode for use as a power supply rectifier?

Lower forward voltage drop

What property of an LED's semiconductor material determines its forward voltage drop?

Band gap

What type of semiconductor device is designed for use as a voltage-controlled capacitor?

Varactor diode

What characteristic of a PIN diode makes it useful as an RF switch?

Low junction capacitance

Which of the following is a common use of a Schottky diode?

As a VHF/UHF mixer or detector

What causes a junction diode to fail from excessive current?

Excessive junction temperature

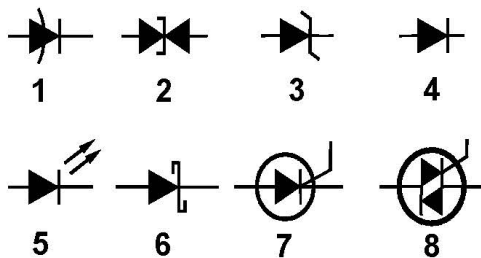
Which of the following is a Schottky barrier diode?

Metal-semiconductor junction

What is a common use for point-contact diodes?

As an RF detector

Figure E6-2



In Figure E6-2, which is the schematic symbol for a Schottky diode?

6

What is used to control the attenuation of RF signals by a PIN diode?

Forward DC bias current

E6C Digital ICs: families of digital ICs; gates; programmable logic devices

What is the function of hysteresis in a comparator?

To prevent input noise from causing unstable output signals

What happens when the level of a comparator's input signal crosses the threshold voltage?

The comparator changes its output state

What is tri-state logic?

Logic devices with 0, 1, and high-impedance output states

Which of the following is an advantage of BiCMOS logic?

It has the high input impedance of CMOS and the low output impedance of bipolar transistors

Which of the following digital logic families has the lowest power consumption?

CMOS

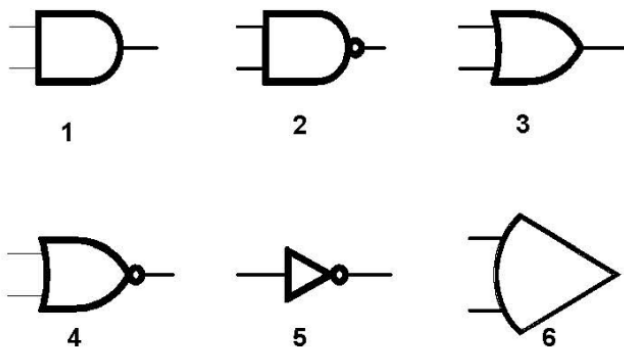
Why do CMOS digital integrated circuits have high immunity to noise on the input signal or power supply?

The input switching threshold is about half the power supply voltage

What best describes a pull-up or pull-down resistor?

A resistor connected to the positive or negative supply used to establish a voltage when an input or output is an open circuit

Figure E6-3



In Figure E6-3, which is the schematic symbol for a NAND gate?

2

In Figure E6-3, which is the schematic symbol for a NOR gate?

4

In Figure E6-3, which is the schematic symbol for the NOT operation (inversion)?

5

What is used to design the configuration of a field-programmable gate array (FPGA)?

Hardware description language (HDL)

E6D Inductors and piezoelectricity: permeability, core material and configuration; transformers; piezoelectric devices

What is piezoelectricity?

A characteristic of materials that generate a voltage when stressed and that flex when a voltage is applied

What is the equivalent circuit of a quartz crystal?

Series RLC in parallel with a shunt C representing electrode and stray capacitance

Which of the following is an aspect of the piezoelectric effect?

Mechanical deformation of material due to the application of a voltage

Why are cores of inductors and transformers sometimes constructed of thin layers?

To reduce power loss from eddy currents in the core

How do ferrite and powdered iron compare for use in an inductor core?

Ferrite cores generally require fewer turns to produce a given inductance value

What core material property determines the inductance of an inductor?

Permeability

What is the current that flows in the primary winding of a transformer when there is no load on the secondary winding?

Magnetizing current

Which of the following materials has the highest temperature stability of its magnetic characteristics?

Powdered iron

What devices are commonly used as VHF and UHF parasitic suppressors at the input and output terminals of a transistor HF amplifier?

Ferrite beads

What is a primary advantage of using a toroidal core instead of a solenoidal core in an inductor?

Toroidal cores confine most of the magnetic field within the core material

Which type of core material decreases inductance when inserted into a coil?

Brass

What causes inductor saturation?

Operation at excessive magnetic flux

E6E Semiconductor materials and packages for RF use

Why is gallium arsenide (GaAs) useful for semiconductor devices operating at UHF and higher frequencies?

Higher electron mobility

Which of the following device packages is a through-hole type?

DIP

Which of the following materials supports the highest frequency of operation when used in MMICs?

Gallium nitride

Which is the most common input and output impedance of MMICs?

50 ohms

Which of the following noise figure values is typical of a low-noise UHF preamplifier?

0.5 dB

What characteristics of MMICs make them a popular choice for VHF through microwave circuits?

Controlled gain, low noise figure, and constant input and output impedance over the specified frequency range

What type of transmission line is often used for connections to MMICs?

Microstrip

How is power supplied to the most common type of MMIC?

Through a resistor and/or RF choke connected to the amplifier output lead

Which of the following component package types have the least parasitic effects at frequencies above the HF range?

Surface mount

What advantage does surface-mount technology offer at RF compared to using through-hole components?

-Smaller circuit area

-Shorter circuit board traces

-Components have less parasitic inductance and capacitance

All these choices are correct

What is a characteristic of DIP packaging used for integrated circuits?

Two rows of connecting pins on opposite sides of package (dual in-line package)

Why are DIP through-hole package ICs not typically used at UHF and higher frequencies?

Excessive lead length

E6F Electro-optical technology: photoconductivity; photovoltaic devices; optical sensors and encoders; optically isolated switching

What absorbs the energy from light falling on a photovoltaic cell?

Electrons

What happens to photoconductive material when light shines on it?

Resistance decreases

What is the most common configuration of an optoisolator or optocoupler?

An LED and a phototransistor

What is the photovoltaic effect?

The conversion of light to electrical energy

Which of the following describes an optical shaft encoder?

A device that detects rotation by interrupting a light source with a patterned wheel

Which of these materials is most commonly used to create photoconductive devices?

Crystalline semiconductor

What is a solid-state relay?

A device that uses semiconductors to implement the functions of an electromechanical relay

Why are optoisolators often used in conjunction with solid-state circuits that control 120 VAC circuits?

Optoisolators provide an electrical isolation between a control circuit and the circuit being switched

What is the efficiency of a photovoltaic cell?

The relative fraction of light that is converted to current

What is the most common material used in power-generating photovoltaic cells?

Silicon

What is the approximate open-circuit voltage produced by a fully illuminated silicon photovoltaic cell?

0.5 volts

SUBELEMENT E7 - PRACTICAL CIRCUITS [8 Exam Questions - 8 Groups]

E7A Digital circuits: digital circuit principles and logic circuits; classes of logic elements; positive and negative logic; frequency dividers; truth tables

Which circuit is bistable?

A flip-flop

What is the function of a decade counter?

It produces one output pulse for every 10 input pulses

Which of the following can divide the frequency of a pulse train by 2?

A flip-flop

How many flip-flops are required to divide a signal frequency by 16?

4

Which of the following circuits continuously alternates between two states without an external clock signal?

Astable multivibrator

What is a characteristic of a monostable multivibrator?

It switches temporarily to an alternate state for a set time

What logical operation does a NAND gate perform?

It produces a 0 at its output only if all inputs are 1

What logical operation does an OR gate perform?

It produces a 1 at its output if any input is 1

What logical operation is performed by a two-input exclusive NOR gate?

It produces a 0 at its output if one and only one of its inputs is 1

What is a truth table?

A list of inputs and corresponding outputs for a digital device

What does "positive logic" mean in reference to logic devices?

High voltage represents a 1, low voltage a 0

E7B Amplifiers: class of operation; vacuum tube and solid-state circuits; distortion and intermodulation; spurious and parasitic suppression; switching-type amplifiers

For what portion of the signal cycle does each active element in a push-pull, Class AB amplifier conduct?

More than 180 degrees but less than 360 degrees

What is a Class D amplifier?

An amplifier that uses switching technology to achieve high efficiency

What circuit is required at the output of an RF switching amplifier?

A filter to remove harmonic content

What is the operating point of a Class A common emitter amplifier?

Approximately halfway between saturation and cutoff

What can be done to prevent unwanted oscillations in an RF power amplifier?

Install parasitic suppressors and/or neutralize the stage

What is a characteristic of a grounded-grid amplifier?

Low input impedance

Which of the following is the likely result of using a Class C amplifier to amplify a single-sideband phone signal?

Signal distortion and excessive bandwidth

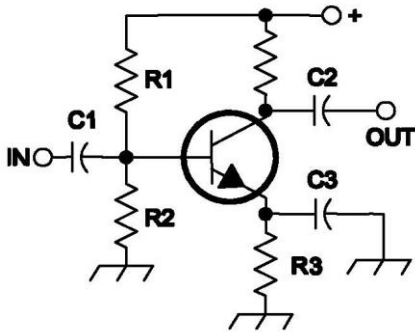
Why are switching amplifiers more efficient than linear amplifiers?

The switching device is at saturation or cutoff most of the time

What is characteristic of an emitter follower (or common collector) amplifier??

Input and output signals in-phase

Figure E7-1



In Figure E7-1, what is the purpose of R1 and R2?

Voltage divider bias

In Figure E7-1, what is the purpose of R3?

Self bias

What type of amplifier circuit is shown in Figure E7-1?

Common emitter

E7C Filters and matching networks: types of networks; types of filters; filter applications; filter characteristics; impedance matching

How are the capacitors and inductors of a low-pass filter Pi-network arranged between the network's input and output?

A capacitor is connected between the input and ground, another capacitor is connected between the output and ground, and an inductor is connected between the input and output

What is the frequency response of a T-network with series capacitors and a shunt inductor?

High-pass

What is the purpose of adding an inductor to a Pi-network to create a Pi-L-network?

Greater harmonic suppression

How does an impedance-matching circuit transform a complex impedance to a resistive impedance?

It cancels the reactive part of the impedance and changes the resistive part to the desired value

Which filter type has ripple in the passband and a sharp cutoff?

A Chebyshev filter

What are the characteristics of an elliptical filter?

Extremely sharp cutoff with one or more notches in the stop band

Which describes a Pi-L network?

A Pi-network with an additional output series inductor

Which of the following is most frequently used as a band-pass or notch filter in VHF and UHF transceivers??

A helical filter

What is a crystal lattice filter?

A filter for low-level signals made using quartz crystals

Which of the following filters is used in a 2-meter band repeater duplexer?

A cavity filter

Which of the following measures a filter's ability to reject signals in adjacent channels?

Shape factor

E7D Power supplies and voltage regulators; solar array charge controllers

How does a linear electronic voltage regulator work?

The conduction of a control element is varied to maintain a constant output voltage

How does a switchmode voltage regulator work?

By varying the duty cycle of pulses input to a filter

What device is used as a stable voltage reference?

A Zener diode

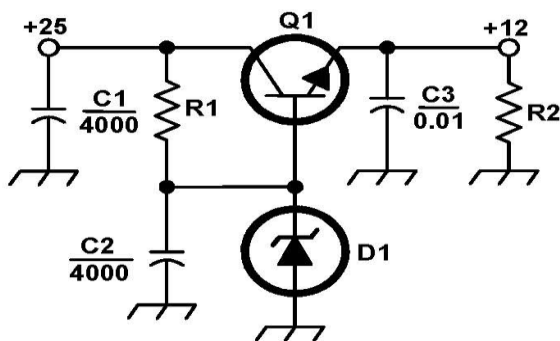
Which of the following describes a three-terminal voltage regulator?

A series regulator

Which of the following types of linear voltage regulator operates by loading the unregulated voltage source?

A shunt regulator

Figure E7-2



What is the purpose of Q1 in the circuit shown in Figure E7-2?

It controls the current to keep the output voltage constant

What is the purpose of C2 in the circuit shown in Figure E7-2?

It bypasses rectifier output ripple around D1

What type of circuit is shown in Figure E7-2?

Linear voltage regulator

How is battery operating time calculated?

Capacity in amp-hours divided by average current

Why is a switching type power supply less expensive and lighter than an equivalent linear power supply?

The high frequency inverter design uses much smaller transformers and filter components for an equivalent power output

What is the purpose of an inverter connected to a solar panel output?

Convert the panel's output from DC to AC

What is the dropout voltage of a linear voltage regulator?

Minimum input-to-output voltage required to maintain regulation

Which of the following calculates power dissipated by a series linear voltage regulator?

Voltage difference from input to output multiplied by output current

What is the purpose of connecting equal-value resistors across power supply filter capacitors connected in series?

-Equalize the voltage across each capacitor

-Discharge the capacitors when voltage is removed

-Provide a minimum load on the supply

All these choices are correct

What is the purpose of a step-start circuit in a high-voltage power supply?

To allow the filter capacitors to charge gradually

E7E Modulation and demodulation: reactance, phase, and balanced modulators; detectors; mixers

Which of the following can be used to generate FM phone signals?

Reactance modulation of a local oscillator

What is the function of a reactance modulator?

Produce PM or FM signals by varying a capacitance

What is a frequency discriminator?

A circuit for detecting FM signals

What is one way to produce a single-sideband phone signal?

Use a balanced modulator followed by a filter

What is added to an FM speech channel to boost the higher audio frequencies?

A pre-emphasis network

Why is de-emphasis used in FM communications receivers?

For compatibility with transmitters using phase modulation

What is meant by the term "baseband" in radio communications?

The frequency range occupied by a message signal prior to modulation

What are the principal frequencies that appear at the output of a mixer?
The two input frequencies along with their sum and difference frequencies

What occurs when the input signal levels to a mixer are too high?
Spurious mixer products are generated

How does a diode envelope detector function?
By rectification and filtering of RF signals

Which type of detector is used for demodulating SSB signals?
Product detector

E7F Software defined radio fundamentals: digital signal processing (DSP) filtering, modulation, and demodulation; analog-digital conversion; digital filters

What is meant by "direct sampling" in software defined radios?
Incoming RF is digitized by an analog-to-digital converter without being mixed with a local oscillator signal

What kind of digital signal processing audio filter is used to remove unwanted noise from a received SSB signal?
An adaptive filter

What type of digital signal processing filter is used to generate an SSB signal?
A Hilbert-transform filter

Which method generates an SSB signal using digital signal processing?
Signals are combined in quadrature phase relationship

How frequently must an analog signal be sampled to be accurately reproduced?
At least twice the rate of the highest frequency component of the signal

What is the minimum number of bits required to sample a signal with a range of 1 volt at a resolution of 1 millivolt?
10 bits

What function is performed by a Fast Fourier Transform?
Converting signals from the time domain to the frequency domain

What is the function of decimation?
Reducing the effective sample rate by removing samples

Why is an anti-aliasing filter required in a decimator?
It removes high-frequency signal components that would otherwise be reproduced as lower frequency components

What aspect of receiver analog-to-digital conversion determines the maximum receive bandwidth of a direct-sampling software defined radio (SDR)?
Sample rate

What sets the minimum detectable signal level for a direct-sampling software defined receiver in the absence of atmospheric or thermal noise?
Reference voltage level and sample width in bits

Which of the following is generally true of Finite Impulse Response (FIR) filters?

FIR filters can delay all frequency components of the signal by the same amount

What is the function of taps in a digital signal processing filter?

Provide incremental signal delays for filter algorithms

Which of the following would allow a digital signal processing filter to create a sharper filter response?

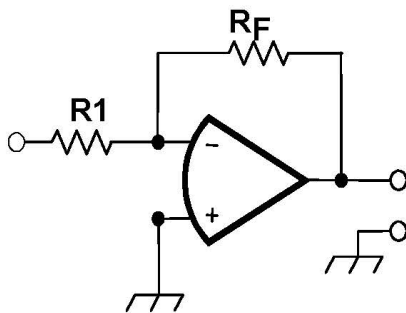
More taps

E7G Operational amplifiers: characteristics and applications

What is the typical output impedance of an op-amp?

Very low

Figure E7-3



What is the frequency response of the circuit in E7-3 if a capacitor is added across the feedback resistor?

Low-pass filter

What is the typical input impedance of an op-amp?

Very high

What is meant by the term "op-amp input offset voltage"?

The differential input voltage needed to bring the open loop output voltage to zero

How can unwanted ringing and audio instability be prevented in an op-amp audio filter?

Restrict both gain and Q

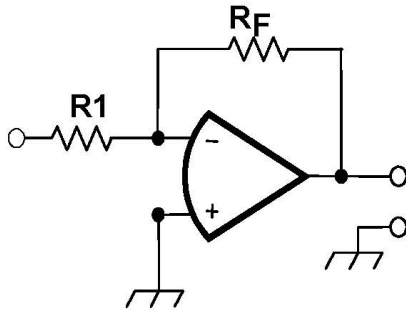
What is the gain-bandwidth of an operational amplifier?

The frequency at which the open-loop gain of the amplifier equals one

What voltage gain can be expected from the circuit in Figure E7-3 when R1 is 10 ohms and RF is 470 ohms?

47

Figure E7-3



How does the gain of an ideal operational amplifier vary with frequency?

It does not vary with frequency

What will be the output voltage of the circuit shown in Figure E7-3 if R_1 is 1,000 ohms, R_F is 10,000 ohms, and 0.23 volts DC is applied to the input?

-2.3 volts

What absolute voltage gain can be expected from the circuit in Figure E7-3 when R_1 is 1,800 ohms and R_F is 68 kilohms?

38

What absolute voltage gain can be expected from the circuit in Figure E7-3 when R_1 is 3,300 ohms and R_F is 47 kilohms?

14

What is an operational amplifier?

A high-gain, direct-coupled differential amplifier with very high input impedance and very low output impedance

E7H Oscillators and signal sources: types of oscillators; synthesizers and phase-locked loops; direct digital synthesizers; stabilizing thermal drift; microphonics; high-accuracy oscillators

What are three common oscillator circuits?

Colpitts, Hartley, and Pierce

What is a microphonic?

Changes in oscillator frequency caused by mechanical vibration

What is a phase-locked loop?

An electronic servo loop consisting of a phase detector, a low-pass filter, a voltage-controlled oscillator, and a stable reference oscillator

How is positive feedback supplied in a Colpitts oscillator?

Through a capacitive divider

How is positive feedback supplied in a Pierce oscillator?

Through a quartz crystal

Which of these functions can be performed by a phase-locked loop?

Frequency synthesis and FM demodulation

How can an oscillator's microphonic responses be reduced?

Mechanically isolate the oscillator circuitry from its enclosure

Which of the following components can be used to reduce thermal drift in crystal oscillators?

NP0 capacitors

What type of frequency synthesizer circuit uses a phase accumulator, lookup table, digital-to-analog converter, and a low-pass anti-alias filter?

A direct digital synthesizer

What information is contained in the lookup table of a direct digital synthesizer (DDS)?

Amplitude values that represent the desired waveform

What are the major spectral impurity components of direct digital synthesizers?

Spurious signals at discrete frequencies

Which of the following ensures that a crystal oscillator operates on the frequency specified by the crystal manufacturer?

Provide the crystal with a specified parallel capacitance

Which of the following is a technique for providing highly accurate and stable oscillators needed for microwave transmission and reception?

-Use a GPS signal reference

-Use a rubidium stabilized reference oscillator

-Use a temperature-controlled high Q dielectric resonator

All these choices are correct

SUBELEMENT E8 - SIGNALS AND EMISSIONS [4 Exam Questions - 4 Groups]

E8A Fourier analysis; RMS measurements; average RF power and peak envelope power (PEP); analog/digital conversion

What technique shows that a square wave is made up of a sine wave and its odd harmonics?

Fourier analysis

Which of the following is a type of analog-to-digital conversion?

Successive approximation

Which of the following describes a signal in the time domain?

Amplitude at different times

What is "dither" with respect to analog-to-digital converters?

A small amount of noise added to the input signal to reduce quantization noise

What is the benefit of making voltage measurements with a true-RMS calculating meter?

RMS is measured for both sinusoidal and non-sinusoidal signals

What is the approximate ratio of PEP-to-average power in an unprocessed single-sideband phone signal?

2.5 to 1

What determines the PEP-to-average power ratio of an unprocessed single-sideband phone signal?

Speech characteristics

Why are direct or flash conversion analog-to-digital converters used for a software defined radio?

Very high speed allows digitizing high frequencies

How many different input levels can be encoded by an analog-to-digital converter with 8-bit resolution?

256

What is the purpose of a low-pass filter used at the output of a digital-to-analog converter?

Remove spurious sampling artifacts from the output signal

Which of the following is a measure of the quality of an analog-to-digital converter?

Total harmonic distortion

E8B Modulation and demodulation: modulation methods; modulation index and deviation ratio; frequency- and time-division multiplexing; orthogonal frequency-division multiplexing (OFDM)

What is the modulation index of an FM signal?

The ratio of frequency deviation to modulating signal frequency

How does the modulation index of a phase-modulated emission vary with RF carrier frequency?

It does not depend on the RF carrier frequency

What is the modulation index of an FM phone signal having a maximum frequency deviation of 3000 Hz either side of the carrier frequency if the highest modulating frequency is 1000 Hz?

3

What is the modulation index of an FM phone signal having a maximum carrier deviation of plus or minus 6 kHz if the highest modulating frequency is 2 kHz?

3

What is the deviation ratio of an FM phone signal having a maximum frequency swing of plus or minus 5 kHz if the highest modulation frequency is 3 kHz?

1.67

What is the deviation ratio of an FM phone signal having a maximum frequency swing of plus or minus 7.5 kHz if the highest modulation frequency is 3.5 kHz?

2.14

Orthogonal frequency-division multiplexing (OFDM) is a technique used for which types of amateur communication?

Digital modes

What describes orthogonal frequency-division multiplexing (OFDM)?

A digital modulation technique using subcarriers at frequencies chosen to avoid intersymbol interference

What is deviation ratio?

The ratio of the maximum carrier frequency deviation to the highest audio modulating frequency

What is frequency division multiplexing (FDM)?

Dividing the transmitted signal into separate frequency bands that each carry a different data stream

What is digital time division multiplexing?

Two or more signals are arranged to share discrete time slots of a data transmission

E8C Digital signals: digital communication modes; information rate vs. bandwidth; error correction; constellation diagrams

What is Quadrature Amplitude Modulation or QAM?

Transmission of data by modulating the amplitude of two carriers of the same frequency but 90 degrees out of phase

What is the definition of symbol rate in a digital transmission?

The rate at which the waveform changes to convey information

Why should the phase of a PSK signal be changed at the zero crossing of the RF signal?

To minimize bandwidth

What technique minimizes the bandwidth of a PSK31 signal?

Use of sinusoidal data pulses

What is the approximate bandwidth of a 13-WPM International Morse Code transmission?

52 Hz

What is the bandwidth of an FT8 signal?

50 Hz

What is the bandwidth of a 4,800-Hz frequency shift, 9,600-baud ASCII FM transmission?

15.36 kHz

How does ARQ accomplish error correction?

If errors are detected, a retransmission is requested

Which digital code allows only one bit to change between sequential code values?

Gray code

How can data rate be increased without increasing bandwidth?

Using a more efficient digital code

What is the relationship between symbol rate and baud?

They are the same

What factors affect the bandwidth of a transmitted CW signal?

Keying speed and shape factor (rise and fall time)

What is described by the constellation diagram of a QAM or QPSK signal?

The possible phase and amplitude states for each symbol

What type of addresses do nodes have in a mesh network?

Internet Protocol (IP)

What technique do individual nodes use to form a mesh network?

Discovery and link establishment protocols

E8D Keying defects and overmodulation of digital signals; digital codes; spread spectrum

Why are received spread spectrum signals resistant to interference?

Signals not using the spread spectrum algorithm are suppressed in the receiver

What spread spectrum communications technique uses a high-speed binary bit stream to shift the phase of an RF carrier?

Direct sequence

Which describes spread spectrum frequency hopping?

Rapidly varying the frequency of a transmitted signal according to a pseudorandom sequence

What is the primary effect of extremely short rise or fall time on a CW signal?

The generation of key clicks

What is the most common method of reducing key clicks?

Increase keying waveform rise and fall times

What is the advantage of including parity bits in ASCII characters?

Some types of errors can be detected

What is a common cause of overmodulation of AFSK signals?

Excessive transmit audio levels

What parameter evaluates distortion of an AFSK signal caused by excessive input audio levels?

Intermodulation Distortion (IMD)

What is considered an acceptable maximum IMD level for an idling PSK signal?

-30 dB

What are some of the differences between the Baudot digital code and ASCII??

Baudot uses 5 data bits per character, ASCII uses 7 or 8; Baudot uses 2 characters as letters/figures shift codes, ASCII has no letters/figures shift code

What is one advantage of using ASCII code for data communications?

It is possible to transmit both uppercase and lowercase text

SUBELEMENT E9 - ANTENNAS AND TRANSMISSION LINES [8 Exam Questions - 8 Groups]

E9A Basic antenna parameters: radiation resistance, gain, beamwidth, efficiency; effective radiated power (ERP) and effective isotropic radiated power (EIRP)

What is an isotropic radiator?

A hypothetical, lossless antenna having equal radiation intensity in all directions used as a reference for antenna gain

What is the effective radiated power (ERP) of a repeater station with 150 watts transmitter power output, 2 dB feed line loss, 2.2 dB duplexer loss, and 7 dBd antenna gain?

286 watts

What term describing total radiated power takes into account all gains and losses?

Effective radiated power

Which of the following factors affect the feed point impedance of an antenna?

Antenna height

What does the term "ground gain" mean?

An increase in signal strength from ground reflections in the environment of the antenna

What is the effective radiated power (ERP) of a repeater station with 200 watts transmitter power output, 4 dB feed line loss, 3.2 dB duplexer loss, 0.8 dB circulator loss, and 10 dBd antenna gain?

317 watts

What is the effective isotropic radiated power (EIRP) of a repeater station with 200 watts transmitter power output, 2 dB feed line loss, 2.8 dB duplexer loss, 1.2 dB circulator loss, and 7 dBi antenna gain?

252 watts

Which frequency band has the smallest first Fresnel zone?

5.8 GHz

What is antenna efficiency?

Radiation resistance divided by total resistance

Which of the following improves the efficiency of a ground-mounted quarter-wave vertical antenna?

Installing a ground radial system

Which of the following determines ground losses for a ground-mounted vertical antenna operating on HF?

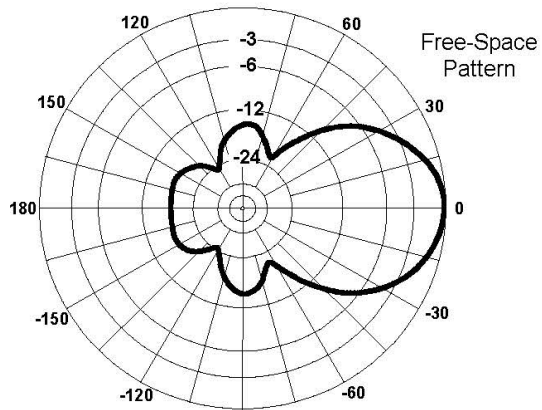
Soil conductivity

How much gain does an antenna have compared to a half-wavelength dipole if it has 6 dB gain over an isotropic radiator?

3.85 dB

E9B Antenna patterns and designs: azimuth and elevation patterns; gain as a function of pattern; antenna modeling

Figure E9-1



What is the 3 dB beamwidth of the antenna radiation pattern shown in Figure E9-1?

50 degrees

What is the front-to-back ratio of the antenna radiation pattern shown in Figure E9-1?

18 dB

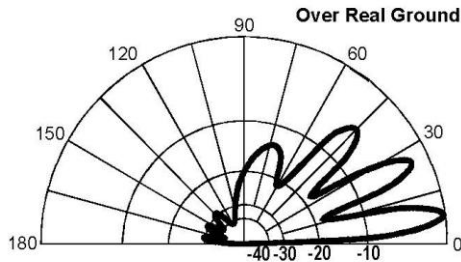
What is the front-to-side ratio of the antenna radiation pattern shown in Figure E9-1?

14 dB

What is the front-to-back ratio of the radiation pattern shown in Figure E9-2?

28 dB

Figure E9-2



What type of antenna pattern is shown in Figure E9-2?

Elevation

What is the elevation angle of peak response in the antenna radiation pattern shown in Figure E9-2?

7.5 degrees

What is the difference in radiated power between a lossless antenna with gain and an isotropic radiator driven by the same power?

They are the same

What is the far field of an antenna?

The region where the shape of the radiation pattern no longer varies with distance

What type of analysis is commonly used for modeling antennas?

Method of Moments

What is the principle of a Method of Moments analysis?

A wire is modeled as a series of segments, each having a uniform value of current

What is a disadvantage of decreasing the number of wire segments in an antenna model below 10 segments per half-wavelength?

The computed feed point impedance may be incorrect

E9C Practical wire antennas; folded dipoles; phased arrays; effects of ground near antennas

What type of radiation pattern is created by two 1/4-wavelength vertical antennas spaced 1/2-wavelength apart and fed 180 degrees out of phase?

A figure-eight oriented along the axis of the array

What type of radiation pattern is created by two 1/4-wavelength vertical antennas spaced 1/4-wavelength apart and fed 90 degrees out of phase?

Cardioid

What type of radiation pattern is created by two 1/4-wavelength vertical antennas spaced 1/2-wavelength apart and fed in phase?

A figure-eight broadside to the axis of the array

What happens to the radiation pattern of an unterminated long wire antenna as the wire length is increased?

Additional lobes form with major lobes increasingly aligned with the axis of the antenna

What is the purpose of feeding an off-center-fed dipole (OCFD) between the center and one end instead of at the midpoint?

To create a similar feed point impedance on multiple bands

What is the effect of adding a terminating resistor to a rhombic or long-wire antenna?

It changes the radiation pattern from bidirectional to unidirectional

What is the approximate feed point impedance at the center of a two-wire half-wave folded dipole antenna?

300 ohms

What is a folded dipole antenna?

A half-wave dipole with an additional parallel wire connecting its two ends

Which of the following describes a G5RV antenna?

A wire antenna center-fed through a specific length of open-wire line connected to a balun and coaxial feed line

Which of the following describes a Zepp antenna?

An end-fed half-wavelength dipole

How is the far-field elevation pattern of a vertically polarized antenna affected by being mounted over seawater versus soil?

Radiation at low angles increases

Which of the following describes an extended double Zepp antenna?

A center-fed 1.25-wavelength dipole antenna

How does the radiation pattern of a horizontally polarized antenna vary with increasing height above ground?

The takeoff angle of the lowest elevation lobe decreases

How does the radiation pattern of a horizontally-polarized antenna mounted above a long slope compare with the same antenna mounted above flat ground?

The main lobe takeoff angle decreases in the downhill direction

E9D Yagi antennas; parabolic reflectors; feed point impedance and loading of electrically short antennas; antenna Q; RF grounding

How much does the gain of an ideal parabolic reflector antenna increase when the operating frequency is doubled?

6 dB

How can two linearly polarized Yagi antennas be used to produce circular polarization?

Arrange two Yagis on the same axis and perpendicular to each other with the driven elements at the same point on the boom and fed 90 degrees out of phase

What is the most efficient location for a loading coil on an electrically short whip?

Near the center of the vertical radiator

Why should antenna loading coils have a high ratio of reactance to resistance?

To maximize efficiency

Approximately how long is a Yagi's driven element?

1/2 wavelength

What happens to SWR bandwidth when one or more loading coils are used to resonate an electrically short antenna?

It is decreased

What is an advantage of top loading an electrically short HF vertical antenna?

Improved radiation efficiency

What happens as the Q of an antenna increases?

SWR bandwidth decreases

What is the function of a loading coil in an electrically short antenna?

To resonate the antenna by cancelling the capacitive reactance

How does radiation resistance of a base-fed whip antenna change below its resonant frequency?

Radiation resistance decreases

Why do most two-element Yagis with normal spacing have a reflector instead of a director?

Higher gain

What is the purpose of making a Yagi's parasitic elements either longer or shorter than resonance?

Control of phase shift

E9E Impedance matching: matching antennas to feed lines; phasing lines; power dividers

Which matching system for Yagi antennas requires the driven element to be insulated from the boom?

Beta or hairpin

What antenna matching system matches coaxial cable to an antenna by connecting the shield to the center of the antenna and the conductor a fraction of a wavelength to one side?

Gamma match

What matching system uses a short length of transmission line connected in parallel with the feed line at or near the feed point?

Stub match

What is the purpose of the series capacitor in a gamma match?

To cancel unwanted inductive reactance

What Yagi driven element feed point impedance is required to use a beta or hairpin matching system?

Capacitive (driven element electrically shorter than 1/2 wavelength)

Which of these transmission line impedances would be suitable for constructing a quarter-wave Q-section for matching a 100-ohm feed point impedance to a 50-ohm transmission line?

75 ohms

What parameter describes the interaction of a load and transmission line?

Reflection coefficient

What is a use for a Wilkinson divider?

To divide power equally between two 50-ohm loads while maintaining 50-ohm input impedance

Which of the following is used to shunt feed a grounded tower at its base?

Gamma match

What is the purpose of using multiple driven elements connected through phasing lines?

To control the antenna's radiation pattern

E9F Transmission lines: characteristics of open and shorted feed lines; coax versus open wire; velocity factor; electrical length; coaxial cable dielectrics; microstrip

What is the velocity factor of a transmission line?

The velocity of a wave in the transmission line divided by the velocity of light in a vacuum

Which of the following has the biggest effect on the velocity factor of a transmission line?

The insulating dielectric material

Why is the electrical length of a coaxial cable longer than its physical length?

Electromagnetic waves move more slowly in a coaxial cable than in air

What impedance does a 1/2-wavelength transmission line present to an RF generator when the line is shorted at the far end?

Very low impedance

What is microstrip?

Precision printed circuit conductors above a ground plane that provide constant impedance interconnects at microwave frequencies

What is the approximate physical length of an air-insulated, parallel conductor transmission line that is electrically 1/2 wavelength long at 14.10 MHz?

10.6 meters

How does parallel conductor transmission line compare to coaxial cable with a plastic dielectric?

Lower loss

Which of the following is a significant difference between foam dielectric coaxial cable and solid dielectric coaxial cable, assuming all other parameters are the same?

-Foam dielectric coaxial cable has lower safe maximum operating voltage

-Foam dielectric coaxial cable has lower loss per unit of length

-Foam dielectric coaxial cable has higher velocity factor

All these choices are correct

What impedance does a $1/4$ -wavelength transmission line present to an RF generator when the line is shorted at the far end?

Very high impedance

What impedance does a $1/8$ -wavelength transmission line present to an RF generator when the line is shorted at the far end?

An inductive reactance

What impedance does a $1/8$ -wavelength transmission line present to an RF generator when the line is open at the far end?

A capacitive reactance

What impedance does a $1/4$ -wavelength transmission line present to an RF generator when the line is open at the far end?

Very low impedance

E9G The Smith chart

Which of the following can be calculated using a Smith chart?

Impedance along transmission lines

What type of coordinate system is used in a Smith chart?

Resistance circles and reactance arcs

Which of the following is often determined using a Smith chart?

Impedance and SWR values in transmission lines

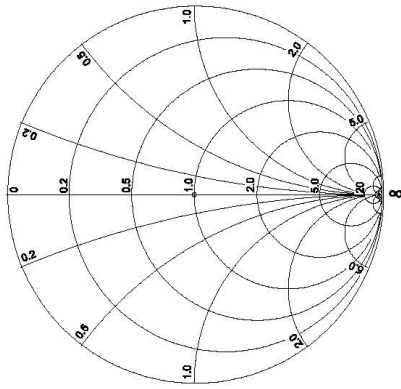
What are the two families of circles and arcs that make up a Smith chart?

Resistance and reactance

Which of the following is a common use for a Smith chart?

Determine the length and position of an impedance matching stub

Figure E9-3



On the Smith chart shown in Figure E9-3, what is the name for the large outer circle on which the reactance arcs terminate?

Reactance axis

On the Smith chart shown in Figure E9-3, what is the only straight line shown?

The resistance axis

How is a Smith chart normalized?

Reassign the prime center's impedance value

What third family of circles is often added to a Smith chart during the process of designing impedance matching networks?

Constant-SWR circles

What do the arcs on a Smith chart represent?

Points with constant reactance

In what units are the wavelength scales on a Smith chart calibrated?

In fractions of transmission line electrical wavelength

E9H Receiving antennas: radio direction finding (RDF) techniques; Beverage antennas; single- and multiple-turn loops

When constructing a Beverage antenna, which of the following factors should be included in the design to achieve good performance at the desired frequency?

It should be at least one wavelength long

Which is generally true for 160- and 80-meter receiving antennas?

Atmospheric noise is so high that directivity is much more important than losses

What is receiving directivity factor (RDF)?

Peak antenna gain compared to average gain over the hemisphere around and above the antenna

What is the purpose of placing an electrostatic shield around a small-loop direction-finding antenna?

It eliminates unbalanced capacitive coupling to the antenna's surroundings, improving the depth of its nulls

What challenge is presented by a small wire-loop antenna for direction finding?

It has a bidirectional null pattern

What indicates the correct value of terminating resistance for a Beverage antenna?

Minimum variation in SWR over the desired frequency range

What is the function of a Beverage antenna's termination resistor?

Absorb signals from the reverse direction

What is the function of a sense antenna?

It modifies the pattern of a DF antenna to provide a null in only one direction

What type of radiation pattern is created by a single-turn, terminated loop such as a pennant antenna?

Cardioid

How can the output voltage of a multiple-turn receiving loop antenna be increased?

By increasing the number of turns and/or the area enclosed by the loop

What feature of a cardioid pattern antenna makes it useful for direction-finding antennas?

A single null

SUBELEMENT E0 - SAFETY - [1 exam question - 1 group]

E0A Safety: RF radiation hazards; hazardous materials; grounding

What is the primary function of an external earth connection or ground rod?

Lightning charge dissipation

When evaluating RF exposure levels from your station at a neighbor's home, what must you do?

Ensure signals from your station are less than the uncontrolled maximum permissible exposure (MPE) limits

Over what range of frequencies are the FCC human body RF exposure limits most restrictive?

30 - 300 MHz

When evaluating a site with multiple transmitters operating at the same time, the operators and licensees of which transmitters are responsible for mitigating over-exposure situations?

Each transmitter that produces 5 percent or more of its MPE limit in areas where the total MPE limit is exceeded

What hazard is created by operating at microwave frequencies?

The high gain antennas commonly used can result in high exposure levels

Why are there separate electric (E) and magnetic (H) MPE limits at frequencies below 300 MHz?

- The body reacts to electromagnetic radiation from both the E and H fields
- Ground reflections and scattering cause the field strength to vary with location
- E field and H field radiation intensity peaks can occur at different locations

All these choices are correct

What is meant by "100% tie-off" regarding tower safety?

At least one lanyard attached to the tower at all times

What does SAR measure?

The rate at which RF energy is absorbed by the body

Which of the following types of equipment are exempt from RF exposure evaluations?

Hand-held transceivers sold before May 3, 2021

When must an RF exposure evaluation be performed on an amateur station operating on 80 meters?

An evaluation must always be performed

To what should lanyards be attached while climbing?

Tower legs

Where should a shock-absorbing lanyard be attached to a tower when working above ground??

Above the climber's head level

~~~end of question pool text~~~